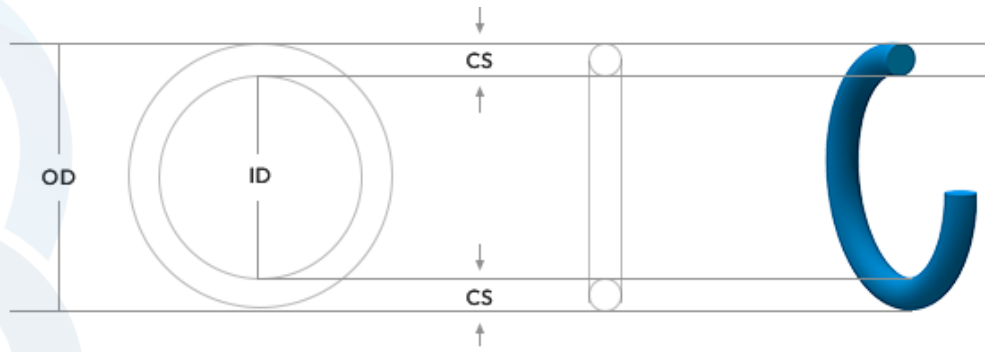


單位 unit:mm

規格	ID(內徑)	OD(外徑)	CS(線徑)
AS-001	0.74	2.78	1.02
AS-002	1.07	3.61	1.27
AS-003	1.42	4.48	1.53
AS-004	1.78	5.34	1.78
AS-005	2.57	6.13	1.78
AS-006	2.90	6.46	1.78
AS-007	3.69	7.25	1.78
AS-008	4.47	8.03	1.78
AS-009	5.29	8.85	1.78
AS-010	6.07	9.63	1.78
AS-011	7.65	11.21	1.78
AS-012	9.25	12.81	1.78
AS-013	10.82	14.38	1.78
AS-014	12.42	15.98	1.78
AS-015	14.00	17.56	1.78
AS-016	15.60	19.16	1.78
AS-017	17.17	20.73	1.78
AS-018	18.77	22.33	1.78
AS-019	20.35	23.91	1.78
AS-020	21.95	25.51	1.78
AS-021	23.52	27.08	1.78
AS-022	25.12	28.68	1.78
AS-023	26.70	30.26	1.78
AS-024	28.30	31.86	1.78
AS-025	29.87	33.43	1.78
AS-026	31.47	35.03	1.78
AS-027	33.05	36.61	1.78
AS-028	34.65	38.21	1.78
AS-029	37.82	41.38	1.78
AS-030	41.00	44.56	1.78

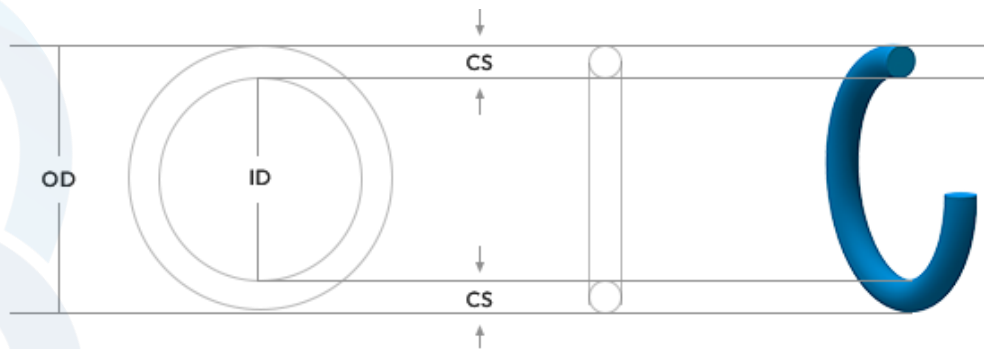
規格	ID(內徑)	OD(外徑)	CS(線徑)
AS-031	44.17	47.73	1.78
AS-032	47.35	50.91	1.78
AS-033	50.52	54.08	1.78
AS-034	53.70	57.26	1.78
AS-035	56.87	60.43	1.78
AS-036	60.04	63.60	1.78
AS-037	63.22	66.78	1.78
AS-038	66.40	69.96	1.78
AS-039	69.57	73.13	1.78
AS-040	72.75	76.31	1.78
AS-041	75.92	79.48	1.78
AS-042	82.27	85.83	1.78
AS-043	88.62	92.18	1.78
AS-044	94.97	98.53	1.78
AS-045	101.32	104.88	1.78
AS-046	107.67	111.23	1.78
AS-047	114.02	117.58	1.78
AS-048	120.37	123.93	1.78
AS-049	126.72	130.28	1.78
AS-050	133.07	136.63	1.78
AS-102	1.24	6.48	2.62
AS-103	2.05	7.29	2.62
AS-104	2.84	8.08	2.62
AS-105	3.63	8.87	2.62
AS-106	4.42	9.66	2.62
AS-107	5.23	10.47	2.62
AS-108	6.02	11.26	2.62
AS-109	7.60	12.84	2.62
AS-110	9.19	14.43	2.62
AS-111	10.77	16.01	2.62



單位 unit:mm

規格	ID(內徑)	OD(外徑)	CS(線徑)
AS-112	12.37	17.61	2.62
AS-113	13.95	19.19	2.62
AS-114	15.54	20.78	2.62
AS-115	17.12	22.36	2.62
AS-116	18.72	23.96	2.62
AS-117	20.29	25.53	2.62
AS-118	21.90	27.14	2.62
AS-119	23.47	28.71	2.62
AS-120	25.07	30.31	2.62
AS-121	26.65	31.89	2.62
AS-122	28.25	33.49	2.62
AS-123	29.82	35.06	2.62
AS-124	31.42	36.66	2.62
AS-125	32.99	38.23	2.62
AS-126	34.60	39.84	2.62
AS-127	36.17	41.41	2.62
AS-128	37.77	43.01	2.62
AS-129	39.35	44.59	2.62
AS-130	40.95	46.19	2.62
AS-131	42.52	47.76	2.62
AS-132	44.12	49.36	2.62
AS-133	45.70	50.94	2.62
AS-134	47.30	52.54	2.62
AS-135	48.90	54.14	2.62
AS-136	50.47	55.71	2.62
AS-137	52.07	57.31	2.62
AS-138	53.65	58.89	2.62
AS-139	55.25	60.49	2.62
AS-140	56.82	62.06	2.62
AS-141	58.42	63.66	2.62

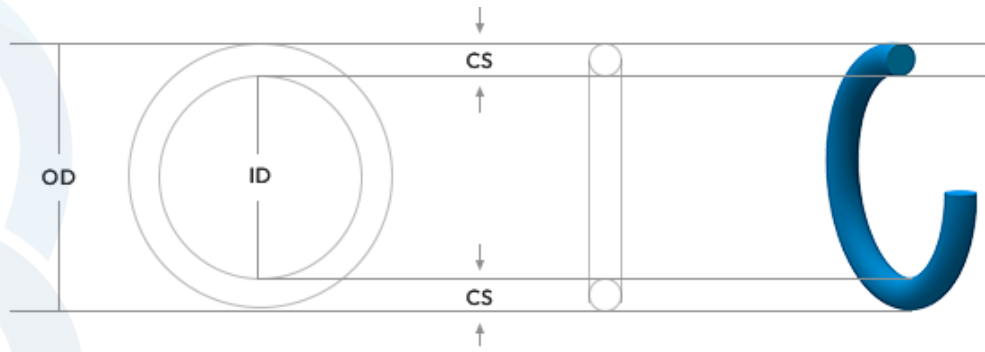
規格	ID(內徑)	OD(外徑)	CS(線徑)
AS-142	60.00	65.24	2.62
AS-143	61.60	66.84	2.62
AS-144	63.17	68.41	2.62
AS-145	64.77	70.01	2.62
AS-146	66.35	71.59	2.62
AS-147	67.95	73.19	2.62
AS-148	69.52	74.76	2.62
AS-149	71.12	76.36	2.62
AS-150	72.70	77.94	2.62
AS-151	75.87	81.11	2.62
AS-152	82.22	87.46	2.62
AS-153	88.57	93.81	2.62
AS-154	94.92	100.16	2.62
AS-155	101.27	106.51	2.62
AS-156	107.62	112.86	2.62
AS-157	113.97	119.21	2.62
AS-158	120.32	125.56	2.62
AS-159	126.67	131.91	2.62
AS-160	133.02	138.26	2.62
AS-161	139.37	144.61	2.62
AS-162	145.72	150.96	2.62
AS-163	152.07	157.31	2.62
AS-164	158.42	163.66	2.62
AS-165	164.77	170.01	2.62
AS-166	171.12	176.36	2.62
AS-167	177.47	182.71	2.62
AS-168	183.82	189.06	2.62
AS-169	190.17	195.41	2.62
AS-170	196.52	201.76	2.62
AS-171	202.87	208.11	2.62



單位 unit:mm

規格	ID(內徑)	OD(外徑)	CS(線徑)
AS-172	209.22	214.46	2.62
AS-173	215.57	220.81	2.62
AS-174	221.92	227.16	2.62
AS-175	228.27	233.51	2.62
AS-176	234.62	239.86	2.62
AS-177	240.97	246.21	2.62
AS-178	247.32	252.56	2.62
AS-201	4.34	11.40	3.53
AS-202	5.94	13.00	3.53
AS-203	7.52	14.58	3.53
AS-204	9.12	16.18	3.53
AS-205	10.69	17.75	3.53
AS-206	12.29	19.35	3.53
AS-207	13.87	20.93	3.53
AS-208	15.47	22.53	3.53
AS-209	17.04	24.10	3.53
AS-210	18.64	25.70	3.53
AS-211	20.22	27.28	3.53
AS-212	21.82	28.88	3.53
AS-213	23.40	30.46	3.53
AS-214	25.00	32.06	3.53
AS-215	26.57	33.63	3.53
AS-216	28.17	35.23	3.53
AS-217	29.75	36.81	3.53
AS-218	31.34	38.40	3.53
AS-219	32.92	39.98	3.53
AS-220	34.52	41.58	3.53
AS-221	36.10	43.16	3.53
AS-222	37.70	44.76	3.53
AS-223	40.87	47.93	3.53

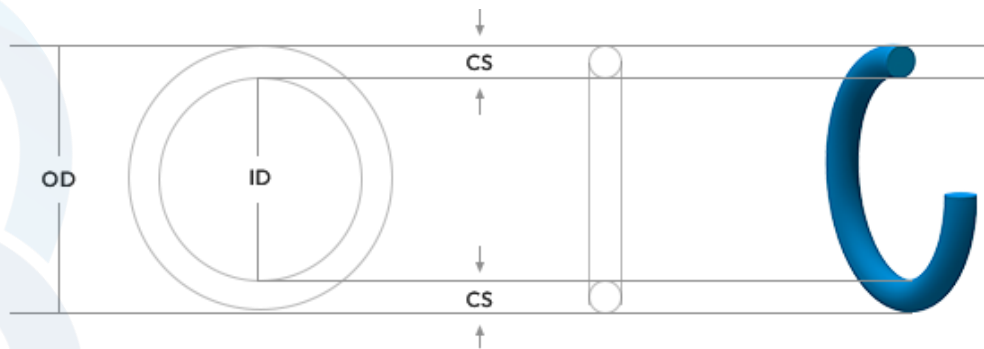
規格	ID(內徑)	OD(外徑)	CS(線徑)
AS-224	44.05	51.11	3.53
AS-225	47.22	54.28	3.53
AS-226	50.40	57.46	3.53
AS-227	53.57	60.63	3.53
AS-228	56.75	63.81	3.53
AS-229	59.92	66.98	3.53
AS-230	63.10	70.16	3.53
AS-231	66.27	73.33	3.53
AS-232	69.44	76.50	3.53
AS-233	72.62	79.68	3.53
AS-234	75.79	82.85	3.53
AS-235	78.97	86.03	3.53
AS-236	82.14	89.20	3.53
AS-237	85.32	92.38	3.53
AS-238	88.49	95.55	3.53
AS-239	91.67	98.73	3.53
AS-240	94.84	101.90	3.53
AS-241	98.02	105.08	3.53
AS-242	101.19	108.25	3.53
AS-243	104.37	111.43	3.53
AS-244	107.54	114.60	3.53
AS-245	110.72	117.78	3.53
AS-246	113.89	120.95	3.53
AS-247	117.07	124.13	3.53
AS-248	120.24	127.30	3.53
AS-249	123.42	130.48	3.53
AS-250	126.59	133.65	3.53
AS-251	129.77	136.83	3.53
AS-252	132.94	140.00	3.53
AS-253	136.12	143.18	3.53



單位 unit:mm

規格	ID(內徑)	OD(外徑)	CS(線徑)
AS-254	139.30	146.36	3.53
AS-255	142.47	149.53	3.53
AS-256	145.65	152.71	3.53
AS-257	148.82	155.88	3.53
AS-258	152.00	159.06	3.53
AS-259	158.35	165.41	3.53
AS-260	164.70	171.76	3.53
AS-261	171.05	178.11	3.53
AS-262	177.40	184.46	3.53
AS-263	183.75	190.81	3.53
AS-264	190.10	197.16	3.53
AS-265	196.45	203.51	3.53
AS-266	202.80	209.86	3.53
AS-267	209.15	216.21	3.53
AS-268	215.50	222.56	3.53
AS-269	221.85	228.91	3.53
AS-270	228.20	235.26	3.53
AS-271	234.55	241.61	3.53
AS-272	240.90	247.96	3.53
AS-273	247.25	254.31	3.53
AS-274	253.60	260.66	3.53
AS-275	266.30	273.36	3.53
AS-276	279.00	286.06	3.53
AS-277	291.70	298.76	3.53
AS-278	304.40	311.46	3.53
AS-279	329.80	336.86	3.53
AS-280	355.20	362.26	3.53
AS-281	380.60	387.66	3.53
AS-282	405.26	412.32	3.53
AS-283	430.66	437.72	3.53

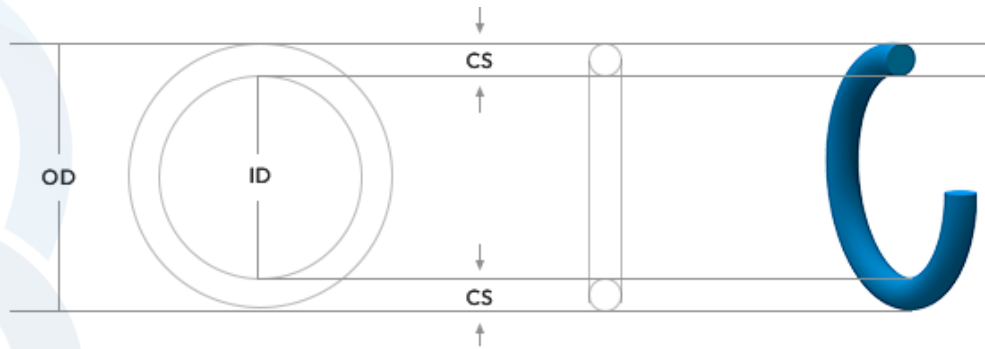
規格	ID(內徑)	OD(外徑)	CS(線徑)
AS-284	456.06	463.12	3.53
AS-309	10.46	21.12	5.33
AS-310	12.07	22.73	5.33
AS-311	13.64	24.30	5.33
AS-312	15.24	25.90	5.33
AS-313	16.81	27.47	5.33
AS-314	18.42	29.08	5.33
AS-315	19.99	30.65	5.33
AS-316	21.59	32.25	5.33
AS-317	23.16	33.82	5.33
AS-318	24.77	35.43	5.33
AS-319	26.34	37.00	5.33
AS-320	27.94	38.60	5.33
AS-321	29.51	40.17	5.33
AS-322	31.12	41.78	5.33
AS-323	32.69	43.35	5.33
AS-324	34.29	44.95	5.33
AS-325	37.47	48.13	5.33
AS-326	40.65	51.31	5.33
AS-327	43.82	54.48	5.33
AS-328	46.99	57.65	5.33
AS-329	50.16	60.82	5.33
AS-330	53.34	64.00	5.33
AS-331	56.52	67.18	5.33
AS-332	59.69	70.35	5.33
AS-333	62.87	73.53	5.33
AS-334	66.04	76.70	5.33
AS-335	69.22	79.88	5.33
AS-336	72.39	83.05	5.33
AS-337	75.57	86.23	5.33



單位 unit:mm

規格	ID(內徑)	OD(外徑)	CS(線徑)
AS-338	78.74	89.40	5.33
AS-339	81.92	92.58	5.33
AS-340	85.09	95.75	5.33
AS-341	88.27	98.93	5.33
AS-342	91.44	102.10	5.33
AS-343	94.62	105.28	5.33
AS-344	97.79	108.45	5.33
AS-345	100.96	111.62	5.33
AS-346	104.14	114.80	5.33
AS-347	107.32	117.98	5.33
AS-348	110.49	121.15	5.33
AS-349	113.67	124.33	5.33
AS-350	116.84	127.50	5.33
AS-351	120.02	130.68	5.33
AS-352	123.19	133.85	5.33
AS-353	126.37	137.03	5.33
AS-354	129.54	140.20	5.33
AS-355	132.72	143.38	5.33
AS-356	135.89	146.55	5.33
AS-357	139.07	149.73	5.33
AS-358	142.24	152.90	5.33
AS-359	145.42	156.08	5.33
AS-360	148.59	159.25	5.33
AS-361	151.77	162.43	5.33
AS-362	158.12	168.78	5.33
AS-363	164.47	175.13	5.33
AS-364	170.82	181.48	5.33
AS-365	177.17	187.83	5.33
AS-366	183.52	194.18	5.33
AS-367	189.87	200.53	5.33

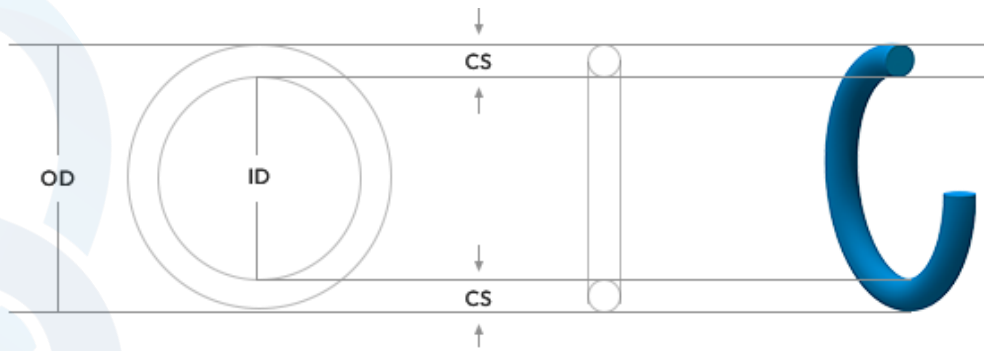
規格	ID(內徑)	OD(外徑)	CS(線徑)
AS-368	196.22	206.88	5.33
AS-369	202.57	213.23	5.33
AS-370	208.92	219.58	5.33
AS-371	215.27	225.93	5.33
AS-372	221.62	232.28	5.33
AS-373	227.97	238.63	5.33
AS-374	234.32	244.98	5.33
AS-375	240.67	251.33	5.33
AS-376	247.02	257.68	5.33
AS-377	253.37	264.03	5.33
AS-378	266.07	276.73	5.33
AS-379	278.77	289.43	5.33
AS-380	291.47	302.13	5.33
AS-381	304.17	314.83	5.33
AS-382	329.57	340.23	5.33
AS-383	354.97	365.63	5.33
AS-384	380.37	391.03	5.33
AS-385	405.26	415.92	5.33
AS-386	430.65	441.31	5.33
AS-387	456.06	466.72	5.33
AS-388	481.46	492.12	5.33
AS-389	506.86	517.52	5.33
AS-390	532.26	542.92	5.33
AS-391	557.66	568.32	5.33
AS-392	582.65	593.31	5.33
AS-393	608.10	618.76	5.33
AS-394	633.50	644.16	5.33
AS-395	658.85	669.51	5.33
AS-425	113.67	127.65	6.99
AS-426	116.84	130.82	6.99



單位 unit:mm

規格	ID(內徑)	OD(外徑)	CS(線徑)
AS-427	120.02	134.00	6.99
AS-428	123.19	137.17	6.99
AS-429	126.37	140.35	6.99
AS-430	129.54	143.52	6.99
AS-431	132.72	146.70	6.99
AS-432	135.89	149.87	6.99
AS-433	139.07	153.05	6.99
AS-434	142.24	156.22	6.99
AS-435	145.42	159.40	6.99
AS-436	148.59	162.57	6.99
AS-437	151.77	165.75	6.99
AS-438	158.12	172.10	6.99
AS-439	164.47	178.45	6.99
AS-440	170.82	184.80	6.99
AS-441	177.17	191.15	6.99
AS-442	183.52	197.50	6.99
AS-443	189.87	203.85	6.99
AS-444	196.22	210.20	6.99
AS-445	202.57	216.55	6.99
AS-446	215.27	229.25	6.99
AS-447	227.97	241.95	6.99
AS-448	240.67	254.65	6.99
AS-449	253.37	267.35	6.99
AS-450	266.07	280.05	6.99
AS-451	278.77	292.75	6.99
AS-452	291.47	305.45	6.99
AS-453	304.17	318.15	6.99
AS-454	316.87	330.85	6.99
AS-455	329.57	343.55	6.99
AS-456	342.27	356.25	6.99

規格	ID(內徑)	OD(外徑)	CS(線徑)
AS-457	354.97	368.95	6.99
AS-458	367.67	381.65	6.99
AS-459	380.37	394.35	6.99
AS-460	393.07	407.05	6.99
AS-461	405.26	419.24	6.99
AS-462	417.96	431.94	6.99
AS-463	430.66	444.64	6.99
AS-464	443.36	457.34	6.99
AS-465	456.06	470.04	6.99
AS-466	468.76	482.74	6.99
AS-467	481.46	495.44	6.99
AS-468	494.16	508.14	6.99
AS-469	506.86	520.84	6.99
AS-470	532.26	546.24	6.99
AS-471	557.66	571.64	6.99
AS-472	582.65	596.63	6.99
AS-473	608.10	622.08	6.99
AS-474	633.50	647.48	6.99
AS-475	658.85	672.83	6.99
AS-901	4.70	7.54	1.42
AS-902	6.07	9.33	1.63
AS-903	7.65	10.91	1.63
AS-904	8.92	12.58	1.83
AS-905	10.52	14.18	1.83
AS-906	11.89	15.85	1.98
AS-907	13.46	17.62	2.08
AS-908	16.36	20.78	2.21
AS-909	17.94	22.86	2.46
AS-910	19.18	24.10	2.46
AS-911	21.92	27.82	2.95



單位 unit:mm

規格	ID(內徑)	OD(外徑)	CS(線徑)
AS-912	23.47	29.37	2.95
AS-913	25.04	30.94	2.95
AS-914	26.60	32.50	2.95
AS-916	29.75	35.65	2.95
AS-918	34.42	40.32	2.95
AS-920	37.46	43.46	3.00
AS-924	43.68	49.68	3.00
AS-928	53.09	59.09	3.00
AS-932	59.36	65.36	3.00