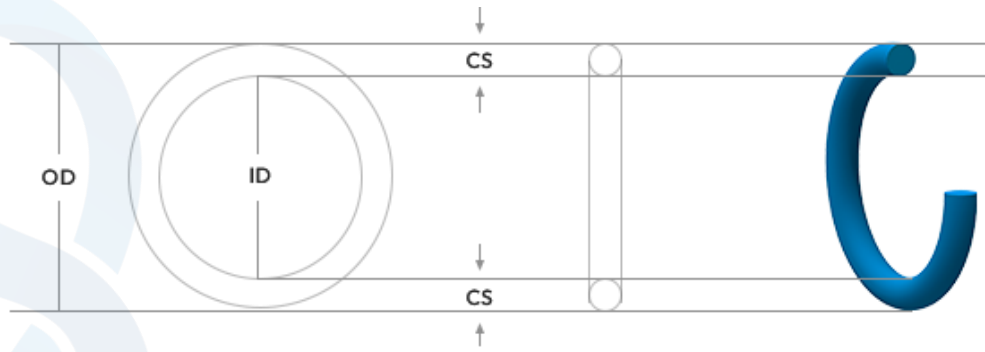


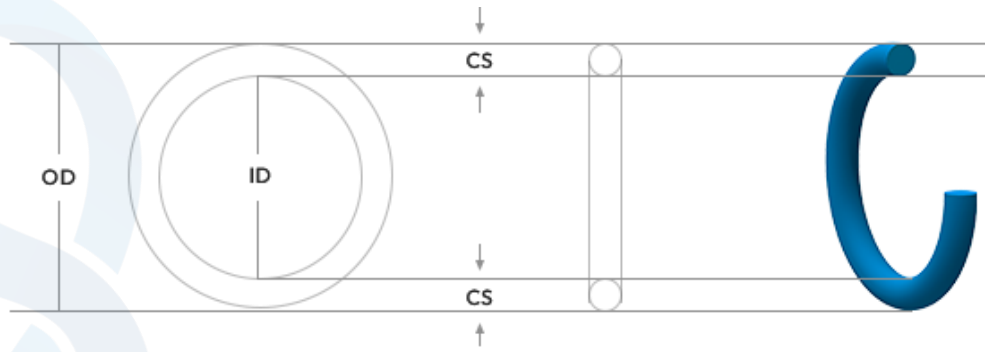
JIS B 2401-JASO O-RING 規格表



單位 unit:mm

規格	ID(內徑)	OD(外徑)	CS(線徑)
JASO-1003	2.8	6.6	1.9
JASO-1004	3.8	7.6	1.9
JASO-1005	4.8	8.6	1.9
JASO-1006	5.8	9.6	1.9
JASO-1007	6.8	10.6	1.9
JASO-1008	7.8	11.6	1.9
JASO-1009	8.8	12.6	1.9
JASO-1010	9.8	13.6	1.9
JASO-1011	11.0	14.8	1.9
JASO-1012	12.3	16.1	1.9
JASO-1013	13.0	16.8	1.9
JASO-1014	13.8	17.6	1.9
JASO-1015	14.8	18.6	1.9
JASO-1016	15.8	19.6	1.9
JASO-1017	16.8	20.6	1.9
JASO-1018	17.8	21.6	1.9
JASO-1019	18.8	22.6	1.9
JASO-1020	19.8	23.6	1.9
JASO-1021	21.0	24.8	1.9
JASO-1022	22.1	25.9	1.9
JASO-1023	23.3	27.1	1.9
JASO-1025	24.7	28.5	1.9
JASO-1026	26.2	30.0	1.9
JASO-1028	27.7	31.5	1.9
JASO-1030	29.7	33.5	1.9
JASO-1031	31.2	35.0	1.9
JASO-1033	33.2	37.0	1.9
JASO-1035	35.2	39.0	1.9
JASO-2010	9.8	14.6	2.4
JASO-2011	11.0	15.8	2.4

規格	ID(內徑)	OD(外徑)	CS(線徑)
JASO-2012	12.3	17.1	2.4
JASO-2013	13.0	17.8	2.4
JASO-2014	13.8	18.6	2.4
JASO-2015	14.8	19.6	2.4
JASO-2016	15.8	20.6	2.4
JASO-2017	16.8	21.6	2.4
JASO-2018	17.8	22.6	2.4
JASO-2019	18.8	23.6	2.4
JASO-2020	19.8	24.6	2.4
JASO-2021	20.8	25.6	2.4
JASO-2022	22.1	26.9	2.4
JASO-2023	23.3	28.1	2.4
JASO-2025	24.7	29.5	2.4
JASO-2026	26.2	31.0	2.4
JASO-2028	27.7	32.5	2.4
JASO-2030	29.7	34.5	2.4
JASO-2031	31.2	36.0	2.4
JASO-2033	33.2	38.0	2.4
JASO-2035	35.2	40.0	2.4
JASO-2037	37.2	42.0	2.4
JASO-2040	39.7	44.5	2.4
JASO-2042	42.2	47.0	2.4
JASO-2045	44.7	49.5	2.4
JASO-2047	47.2	52.0	2.4
JASO-2050	49.7	54.5	2.4
JASO-2053	52.6	57.4	2.4
JASO-2056	55.6	60.4	2.4
JASO-2060	59.6	64.4	2.4
JASO-2063	62.6	67.4	2.4
JASO-2067	66.6	71.4	2.4



單位 unit:mm

規格	ID(內徑)	OD(外徑)	CS(線徑)
JASO-2071	70.6	75.4	2.4
JASO-3022	22.1	29.1	3.5
JASO-3024	23.7	30.7	3.5
JASO-3025	24.7	31.7	3.5
JASO-3026	25.7	32.7	3.5
JASO-3028	27.7	34.7	3.5
JASO-3030	29.7	36.7	3.5
JASO-3031	31.2	38.2	3.5
JASO-3034	33.7	40.7	3.5
JASO-3035	35.2	42.2	3.5
JASO-3038	37.7	44.7	3.5
JASO-3039	38.7	45.7	3.5
JASO-3040	39.7	46.7	3.5
JASO-3042	41.7	48.7	3.5
JASO-3044	43.7	50.7	3.5
JASO-3045	44.7	51.7	3.5
JASO-3048	47.7	54.7	3.5
JASO-3050	49.7	56.7	3.5
JASO-3053	52.6	59.6	3.5
JASO-3056	55.6	62.6	3.5
JASO-3060	59.6	66.6	3.5
JASO-3063	62.6	69.6	3.5
JASO-3067	66.6	73.6	3.5
JASO-3071	70.6	77.6	3.5
JASO-3075	74.6	81.6	3.5
JASO-3080	79.6	86.6	3.5
JASO-3085	84.6	91.6	3.5
JASO-3090	89.6	96.6	3.5
JASO-3095	94.6	101.6	3.5
JASO-3100	99.6	106.6	3.5

規格	ID(內徑)	OD(外徑)	CS(線徑)
JASO-3106	105.6	112.6	3.5
JASO-3112	111.6	118.6	3.5
JASO-3118	117.6	124.6	3.5
JASO-3125	124.6	131.6	3.5
JASO-3132	131.6	138.6	3.5
JASO-3140	139.6	146.6	3.5
JASO-3150	149.6	156.6	3.5