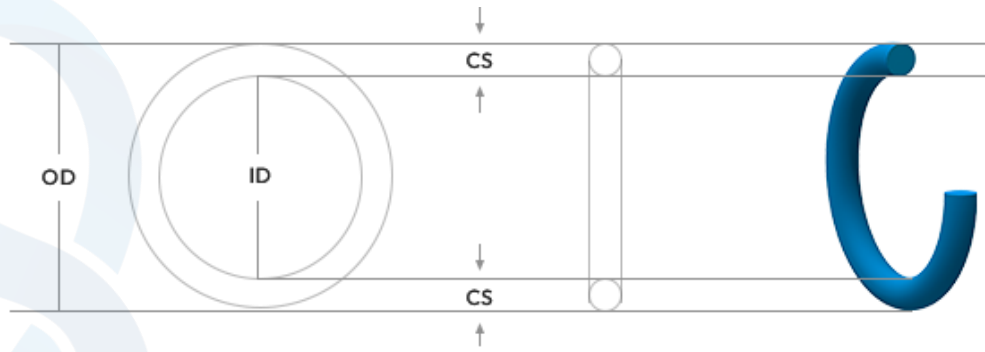


JIS B 2401-V 系列 O-RING 規格表

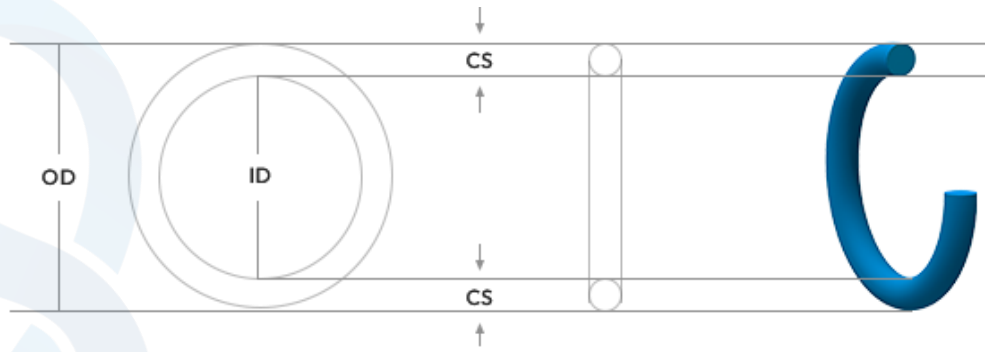


單位 unit:mm

規格	ID(內徑)	OD(外徑)	CS(線徑)
V10	9.5	17.5	4.0
V11	10.5	18.5	4.0
V12	11.5	19.5	4.0
V14	13.5	21.5	4.0
V15	14.5	22.5	4.0
V16	15.5	23.5	4.0
V18	17.5	25.5	4.0
V20	19.5	27.5	4.0
V21	20.5	28.5	4.0
V22	21.5	29.5	4.0
V24	23.5	31.5	4.0
V25	24.5	32.5	4.0
V26	25.5	33.5	4.0
V28	27.5	35.5	4.0
V30	29.5	37.5	4.0
V32	31.5	39.5	4.0
V34	33.5	41.5	4.0
V35	34.5	42.5	4.0
V36	35.5	43.5	4.0
V38	37.5	45.5	4.0
V40	39.5	47.5	4.0
V42	41.5	49.5	4.0
V44	43.5	51.5	4.0
V45	44.5	52.5	4.0
V46	45.5	53.5	4.0
V48	47.5	55.5	4.0
V50	49.5	57.5	4.0
V53	52.5	60.5	4.0
V55	54.5	62.5	4.0
V56	55.5	63.5	4.0

規格	ID(內徑)	OD(外徑)	CS(線徑)
V58	57.5	65.5	4.0
V60	59.5	67.5	4.0
V63	62.5	70.5	4.0
V65	64.5	72.5	4.0
V67	66.5	74.5	4.0
V70	69.0	77.0	4.0
V75	74.0	82.0	4.0
V80	79.0	87.0	4.0
V85	84.0	92.0	4.0
V90	89.0	97.0	4.0
V95	94.0	102.0	4.0
V100	99.0	107.0	4.0
V105	104.0	112.0	4.0
V110	109.0	117.0	4.0
V115	114.0	122.0	4.0
V120	119.0	127.0	4.0
V125	124.0	132.0	4.0
V130	129.0	137.0	4.0
V135	134.0	142.0	4.0
V140	138.5	146.5	4.0
V145	143.5	151.5	4.0
V150	148.5	156.5	4.0
V155	153.0	161.0	4.0
V160	158.0	166.0	4.0
V165	163.0	171.0	4.0
V170	168.0	176.0	4.0
V175	173.0	181.0	4.0
V180	178.0	186.0	4.0
V185	183.0	191.0	4.0
V190	188.0	196.0	4.0

JIS B 2401-V 系列 O-RING 規格表

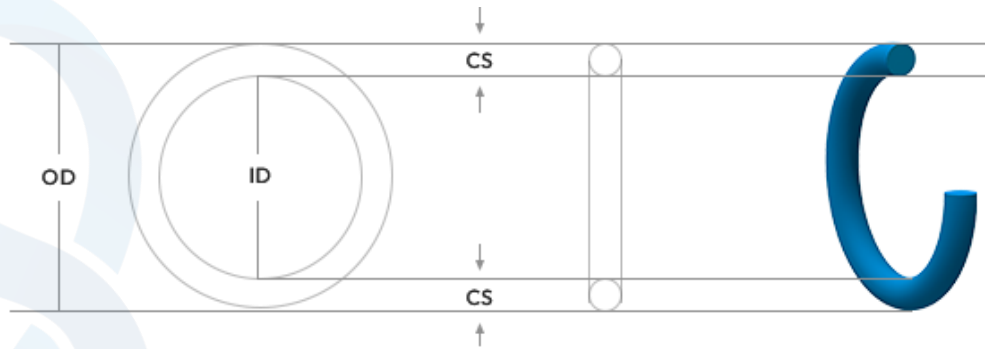


單位 unit:mm

規格	ID(內徑)	OD(外徑)	CS(線徑)
V195	193.0	201.0	4.0
V200	198.0	206.0	4.0
V205	203.0	211.0	4.0
V210	208.0	216.0	4.0
V215	213.0	221.0	4.0
V220	218.0	226.0	4.0
V225	222.5	234.5	6.0
V230	227.5	239.5	6.0
V235	232.5	244.5	6.0
V240	237.5	249.5	6.0
V245	242.5	254.5	6.0
V250	247.5	259.5	6.0
V255	252.5	264.5	6.0
V260	257.5	269.5	6.0
V265	262.5	274.5	6.0
V270	267.5	279.5	6.0
V275	272.0	284.0	6.0
V280	277.0	289.0	6.0
V285	282.0	294.0	6.0
V290	287.0	299.0	6.0
V295	292.0	304.0	6.0
V300	297.0	309.0	6.0
V305	302.0	314.0	6.0
V310	307.0	319.0	6.0
V315	312.0	324.0	6.0
V320	317.0	329.0	6.0
V325	321.5	333.5	6.0
V330	326.5	338.5	6.0
V335	331.5	343.5	6.0
V340	336.5	348.5	6.0

規格	ID(內徑)	OD(外徑)	CS(線徑)
V345	341.5	353.5	6.0
V350	346.5	358.5	6.0
V355	351.5	363.5	6.0
V360	356.5	368.5	6.0
V365	361.5	373.5	6.0
V370	366.5	378.5	6.0
V375	371.5	383.5	6.0
V380	376.0	388.0	6.0
V385	381.0	393.0	6.0
V390	386.0	398.0	6.0
V395	391.0	403.0	6.0
V400	396.0	408.0	6.0
V405	401.0	413.0	6.0
V410	406.0	418.0	6.0
V415	411.0	423.0	6.0
V420	416.0	428.0	6.0
V425	421.0	433.0	6.0
V430	425.5	437.5	6.0
V440	435.5	447.5	6.0
V445	440.5	452.5	6.0
V450	445.5	457.5	6.0
V455	450.5	462.5	6.0
V460	455.5	467.5	6.0
V465	460.5	472.5	6.0
V470	465.5	477.5	6.0
V475	470.5	482.5	6.0
V480	475.0	495.0	10.0
V490	485.0	505.0	10.0
V500	494.5	514.5	10.0
V510	504.5	524.5	10.0

JIS B 2401-V 系列 O-RING 規格表



單位 unit:mm

規格	ID(內徑)	OD(外徑)	CS(線徑)
V520	514.5	534.5	10.0
V530	524.5	544.5	10.0
V540	534.0	554.0	10.0
V550	544.0	564.0	10.0
V560	554.0	574.0	10.0
V570	564.0	584.0	10.0
V580	574.0	594.0	10.0
V585	579.0	599.0	10.0
V590	584.0	604.0	10.0
V600	593.0	613.0	10.0
V610	603.5	623.5	10.0
V620	613.5	633.5	10.0
V630	623.5	643.5	10.0
V640	633.5	653.5	10.0
V650	643.0	663.0	10.0
V660	653.0	673.0	10.0
V670	663.0	683.0	10.0
V680	673.0	693.0	10.0
V690	683.0	703.0	10.0
V700	692.5	712.5	10.0
V710	702.5	722.5	10.0
V720	712.5	732.5	10.0
V730	722.5	742.5	10.0
V740	732.5	752.5	10.0
V750	742.0	762.0	10.0
V760	752.0	772.0	10.0
V770	762.0	782.0	10.0
V780	772.0	792.0	10.0
V790	782.0	802.0	10.0
V800	791.5	811.5	10.0

規格	ID(內徑)	OD(外徑)	CS(線徑)
V810	801.5	821.5	10.0
V820	811.5	831.5	10.0
V830	821.5	841.5	10.0
V840	831.5	851.5	10.0
V845	836.5	856.5	10.0
V850	841.5	861.5	10.0
V860	851.5	871.5	10.0
V870	861.5	881.5	10.0
V880	871.5	891.5	10.0
V890	881.5	901.5	10.0
V900	891.0	911.5	10.0
V910	901.0	921.5	10.0
V920	911.0	931.0	10.0
V930	921.0	941.0	10.0
V940	931.0	951.0	10.0
V950	940.5	960.5	10.0
V960	950.5	970.5	10.0
V970	960.5	980.5	10.0
V980	970.2	990.2	10.0
V990	980.5	1000.5	10.0
V1000	990.5	1010.5	10.0